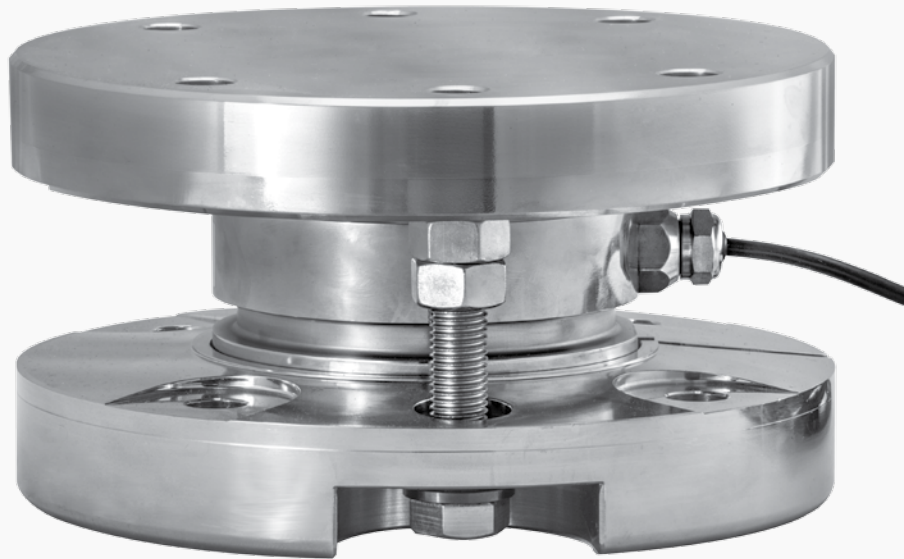


66-20

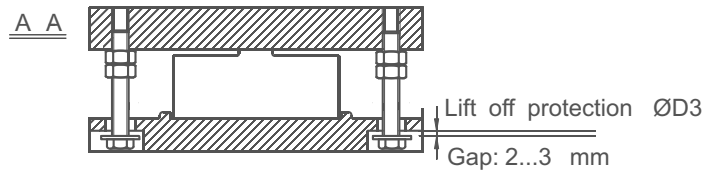
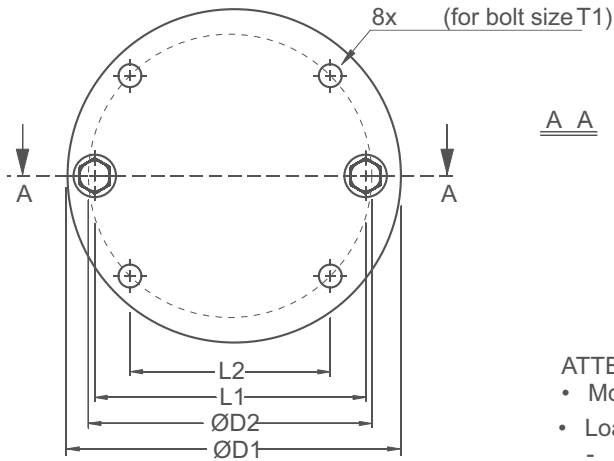
Weigh Module with Lift-Off Protection

SENSOR
TECHNIQUES LIMITED



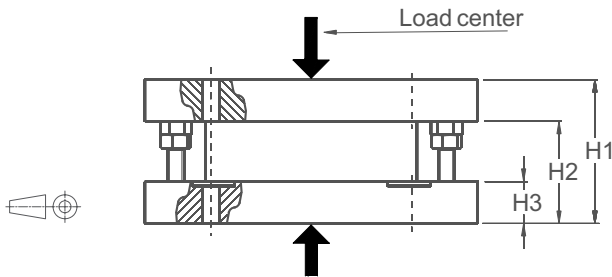
Weigh Module with Lift-Off Protection

- Low profile design, easy to install
- Designed for Model Q50 Compression Disk Load Cell
- Capacities from 0.5 t to 30 t
- Ideal for hopper and tank weighing applications
- Integrated lift off protection
- Mild steel, plated construction or alternatively
- Electro-polished stainless steel construction
- Load cell replacement requires minimum lifting height



ATTENTION:

- Mounting bolts are not included in delivery.
- Load carrier and foundation plate to be horizontal:
- within 0.8/100 for general applications
- External bumper stops are required.
Gap approx. 2...3 mm



Weigh Module Type	Capacity	D1	D2	D3	H1	H2	H3	L1	L2	T1	Max. lift off force (t)	Weight excl. load cell (kg)
66-20	500 kg ... 5 t	160	130	13	80	60	25	130	92	M12	2.5	6.7
	10 t	188	147	17	102	72	32	146	103	M16	4.5	13.1
	20 t ... 30 t	230	185	17	125	92	36	185	132	M16	4.5	21.4

All Dimensions in mm
 Specifications are subject to change without prior notice
 DS66-20, 08/17