

# **SFM-3510T**

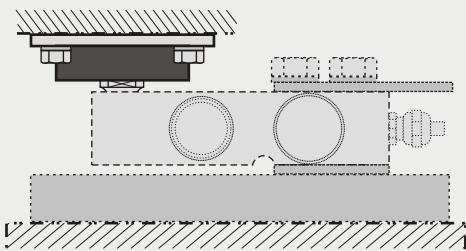
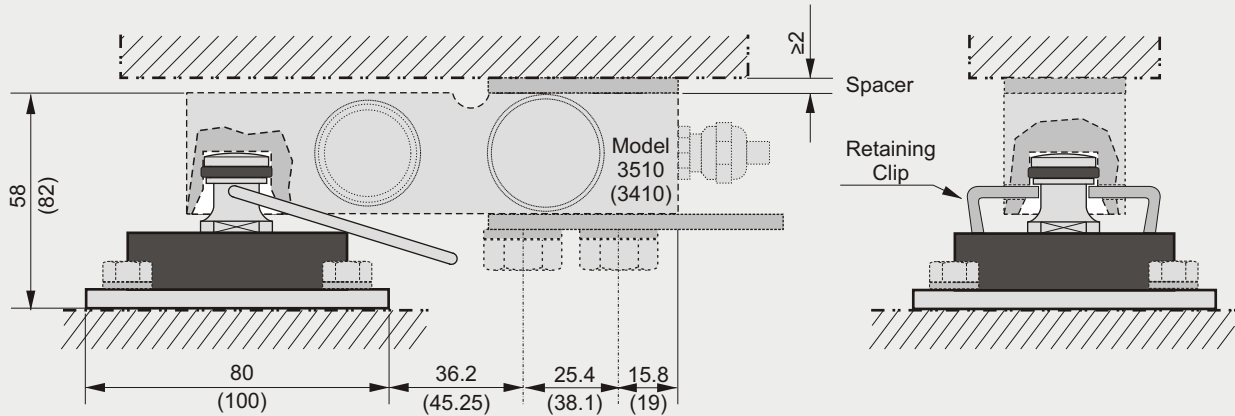
Flanged Self Aligning Foot

**SENSOR**  
TECHNIQUES LIMITED



## **Flanged Self Aligning Foot**

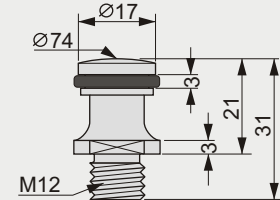
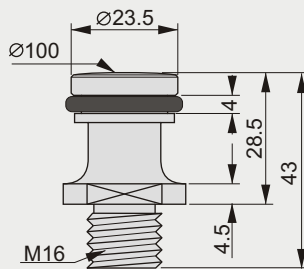
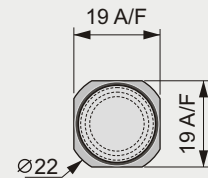
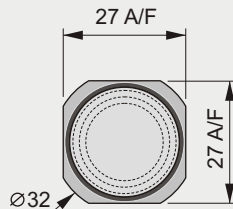
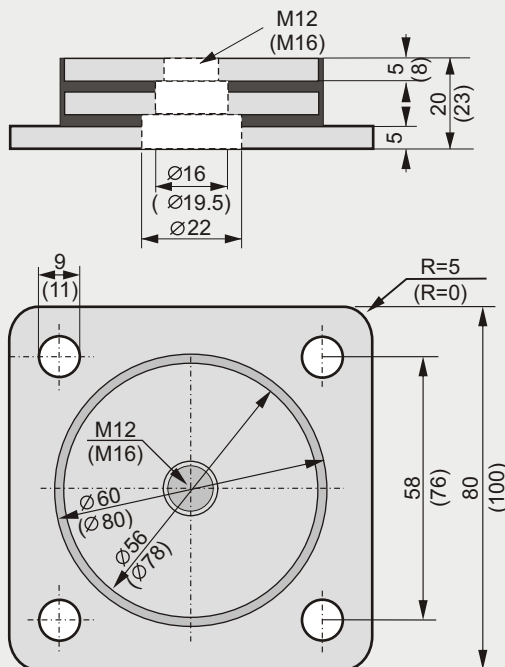
- Low profile self aligning foot with flange
- Designed for use with the 3410/3510 T end load cells
- Flange allows foot to be secured to floor or base
- Neoprene rubber and stainless steel construction
- Available for capacities from 250 Kg to 5000 Kg
- Especially designed for platform scales
- Very easy to install



**The Flanged Self Aligning Foot consists of :**

1. A flanged rubber & metal disc with an M12 thread (250 - 2000 kg)  
 - Neoprene rubber with a Shore Hardness 55 - 65  
 - A Stainless Steel plate, 6mm thick
2. A stainless steel load adaptor  
 Material 1.4112, hardened to 54 - 56 RC
3. Retaining clip

The whole assembly can be inverted if required. The rubber in the foot provides isolation from vibration and dynamic loads.



5 T  
Stainless Steel  
Load Adaptor

300 kg... 2 T  
Stainless Steel  
Load Adaptor

All Dimensions in brackets ( ) are for the 5T version only.

All Dimensions in mm  
Specifications are subject to change without prior notice

DSSFM-3510T-2, 05/09