

SF-3510T-HA

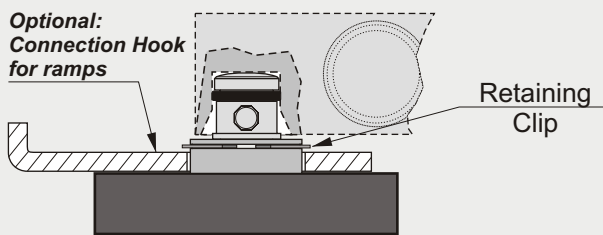
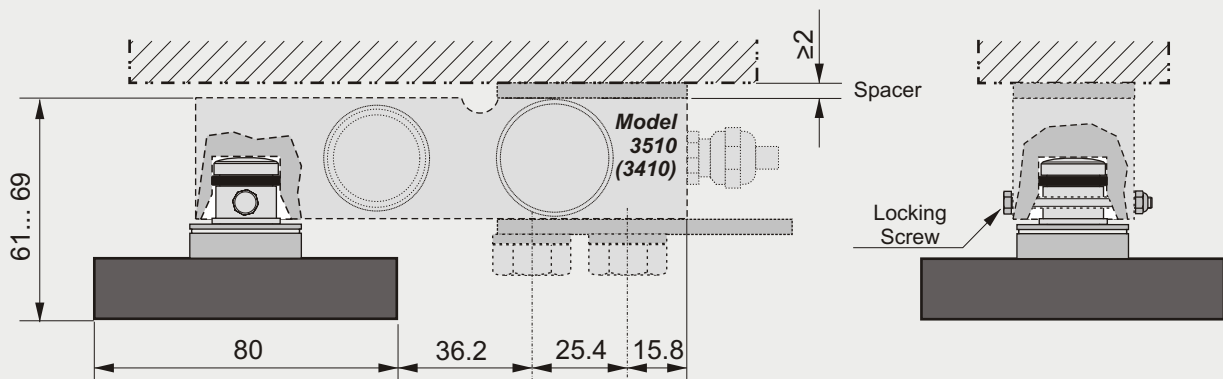
Height Adjustable Self Aligning Foot

SENSOR
TECHNIQUES LIMITED



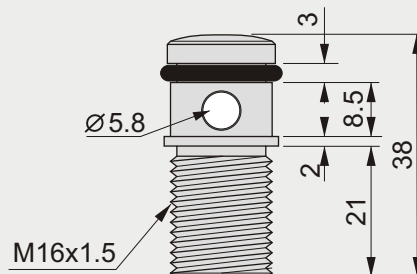
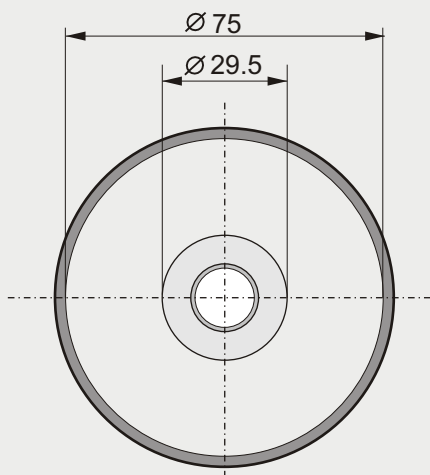
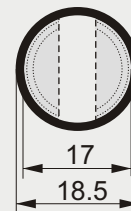
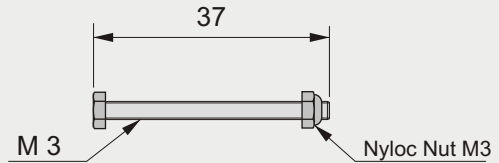
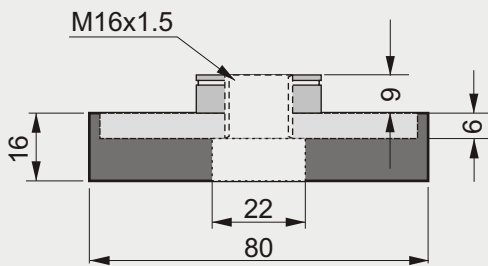
Height Adjustable Self Aligning Foot

- Low profile self aligning foot
- Designed for use with the 3410/3510 T end load cells
- Height adjustment by rotating foot.
- Neoprene rubber and stainless steel construction
- Available for capacities from 250 Kg to 2000 Kg
- Especially designed for platform scales
- Very easy to install



The Height Adjustable Foot consists of :

1. A rubber/metal plate with an M16 x 1.5 thread
 - Neoprene rubber with a Shore Hardness 55 - 65
 - A Stainless Steel plate, 6mm thick
2. A stainless steel load adaptor
 Material 1.4112, hardened to 54 - 56 RC
3. Locking screw with Nyloc Nut M3



All Dimensions in mm
 Specifications are subject to change without prior notice

DSSF-3510T-HA-2, 05/09