

# SGM 700 Series

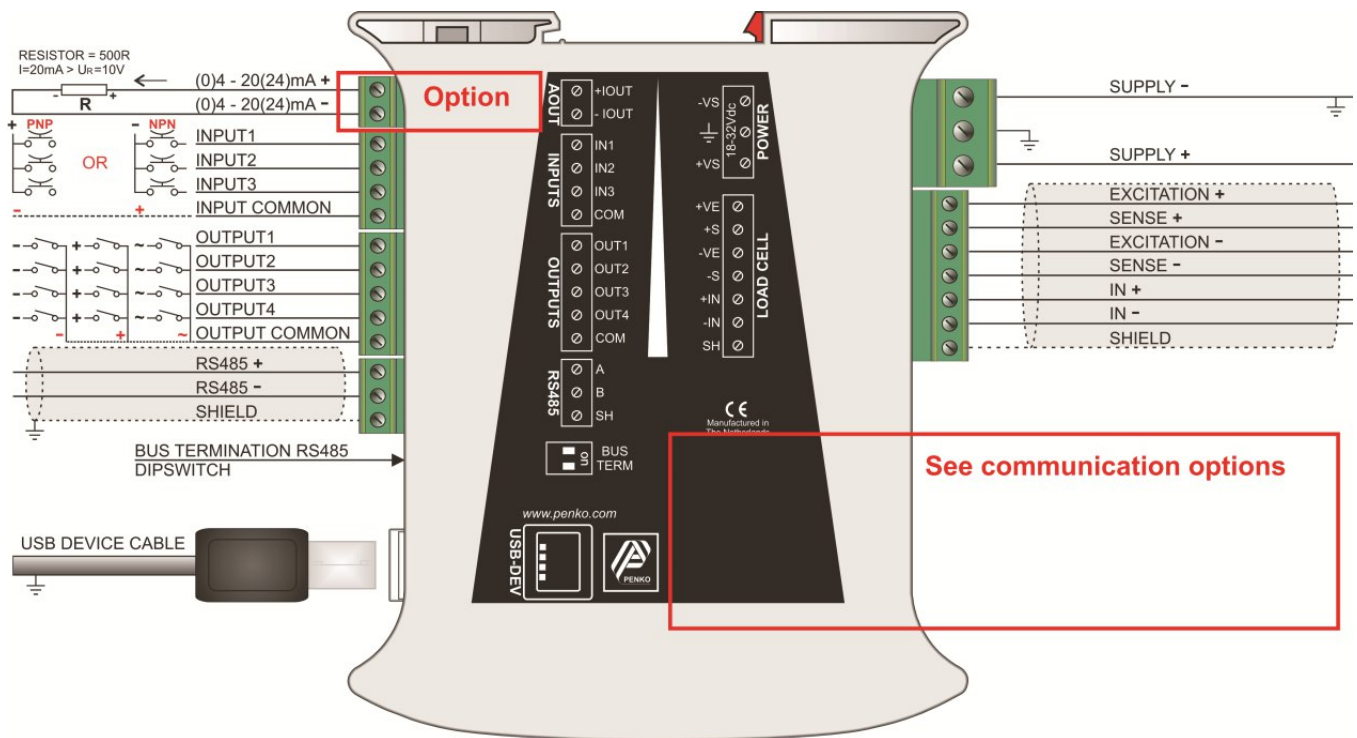
Digital Amplifiers with I/O and USB port

**SENSOR**  
TECHNIQUES LIMITED



## Very High Speed, Precision Digital Amplifier with Logic I/O and a USB Port

- A range of 6 digitizer with different communication options
- 24 bit resolution ADC 1600 readings per second
- Sensitivity 0.1  $\mu\text{V/d}$
- Designed to drive eight 350 Ohm Load Cells  $\pm 3.0 \text{ mV/V}$
- Digital display maximum -99,999 to +99,999 counts
- Supply voltage from 18- 32 VDC
- USB port and RS485 Buslink system as standard
- 3 Digital Logic Inputs
- 4 Digital Logic outputs
- Din rail mounting



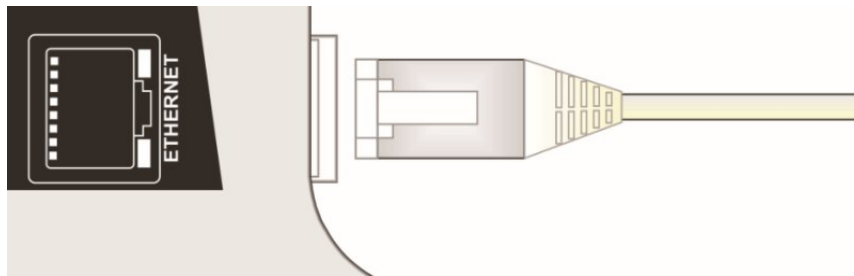
All Dimensions in mm  
 Specifications are subject to change without prior notice

**Specification**

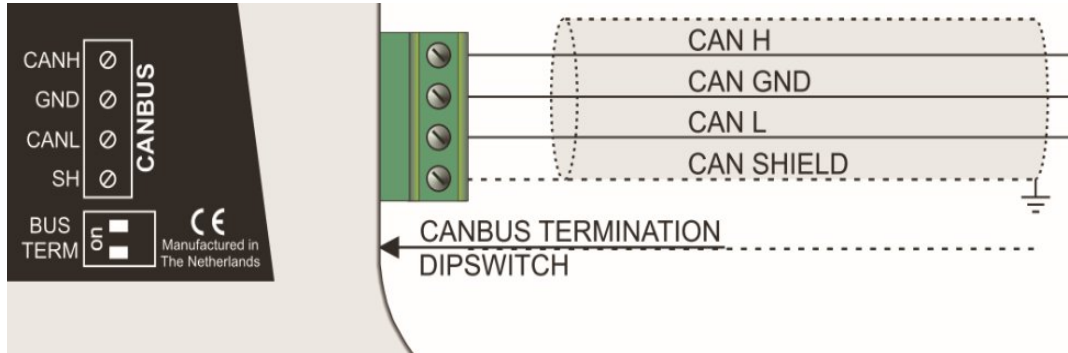
Linearity	: <0.001 %
Bridge Supply Voltage	: 5 V DC, 6 wire passive sense, min. 43.75 Ohm or 8 x 350 Ohm load cells in parallel
Input Signal Range	: ± 3 mV/V, Resolution 0.1 µV/d
Digital Display	: 6 Digit, 0.3" LED and 3 Status LED's
ADC Resolution	: 24 Bit A/D Converter, 1600 Readings/Second
Digital Logic Inputs	: 3 optically isolated; 18 ... 28 V DC, for external control (remote tare etc.)
Digital Logic Outputs	: 4 optically isolated , maximum load 35 V DC / 0.5 A
Computer Interfaces	: USB and RS485 Local Bus standard on all versions. Ethernet (SGM720), Canbus (SGM730), Profibus (SGM740), RS232/422 (SGM750)
Analogue Output	: Standard on SGM710, optional on all other models.
Operating Temperature Range	: -10 °C ... +40 °C
Storage Temperature Range	: -20 °C ... +70 °C
Housing	: PCB housed in a plastic case (PC/ABS), IP20, DIN Rail Mounting (TS 35)
Dimensions	: 120 x 101 x 22.5 mm, Weight approximately 150 g
Supply Voltage	: 18 ... 32 V DC, max. 4 Watts

DS-SGM700-2, 09/14

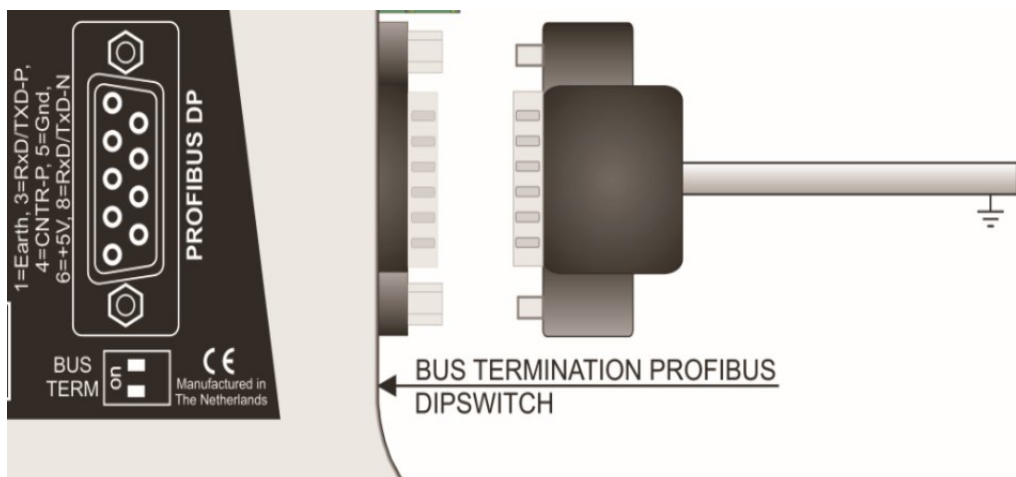
SGM720 - Ethernet



SGM730 - Canbus



SGM 740 - Profibus



SGM 750 - RS232/RS422

