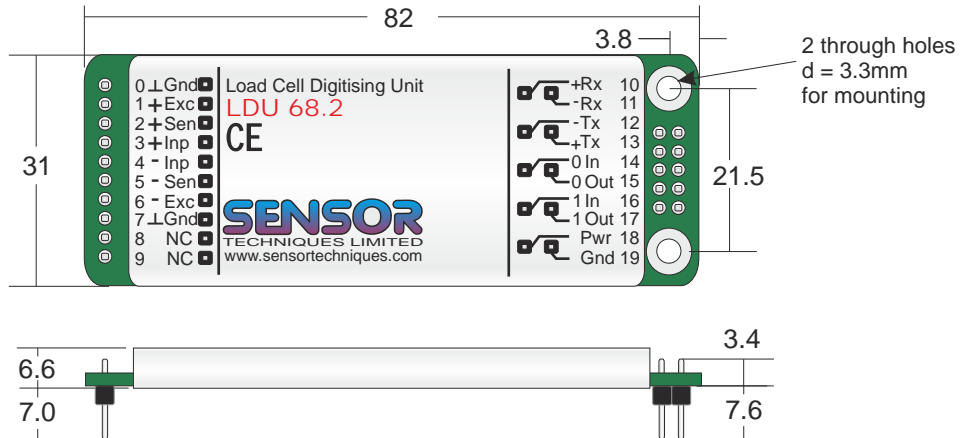
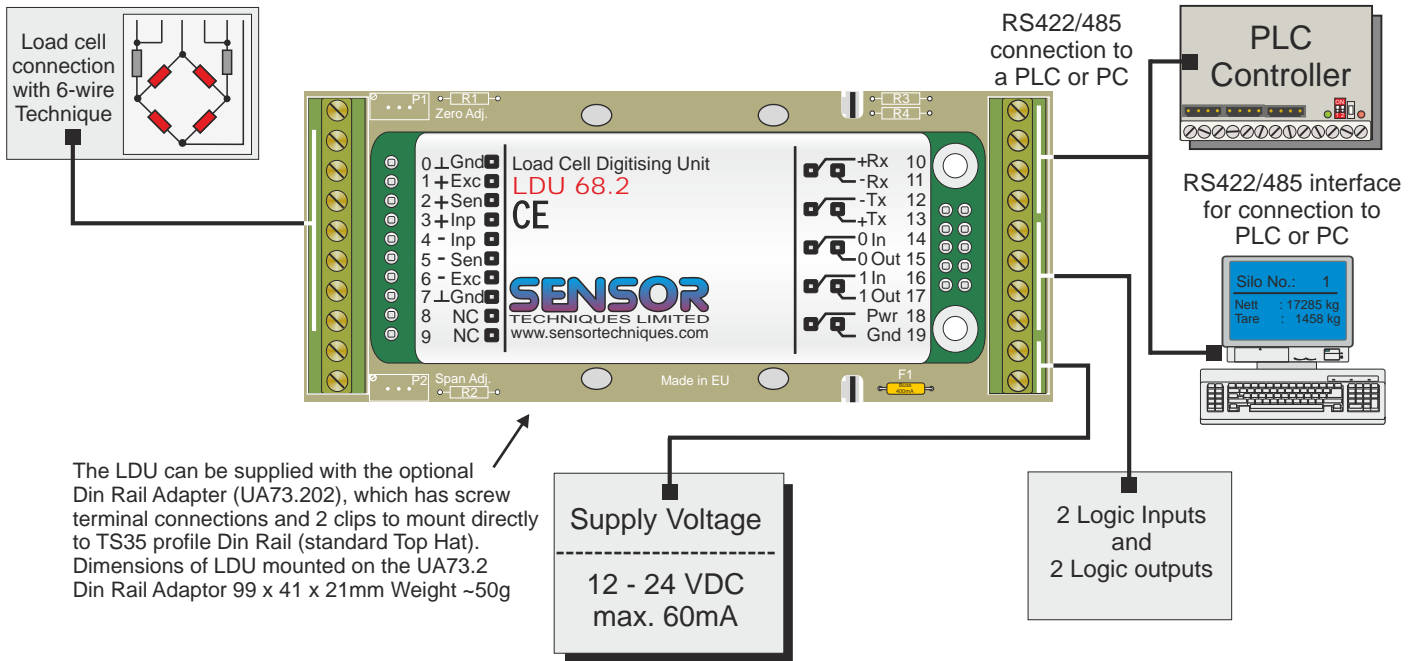




## Digital Load Cell Amplifier, Model LDU 68.2

- Can drive four 350 Ohm load cells (Supply voltage 12V)
- Bipolar input range  $\pm 2.6$  mV/V
- Ideal for weight, force or torque applications
- 80 samples/second at greater than 16 bit resolution
- 2 logic inputs and 2 logic outputs
- Linearity better than 0.002 %, Signal resolution <100 nV
- Maximum read out  $\pm 99,999$  count
- Supply voltage from 12-24 VDC +10% -15 %
- RS-422/RS-485, 2 or 4 wire Computer Interface
- Simple pin connections or Optional Din Rail Adaptor



All Dimensions in mm  
Specifications are subject to change without prior notice

**Specifications**

Linearity	: < 0.002 % F.S.
Excitation Voltage	: 5V DC, driving 4 load cells with 350 ohm bridges (Power Supply 12-14 V DC max.) or driving 1 load cell with a 350 ohm bridge (Power Supply 12-24 VDC range)
Input Signal Range	: ± 2.6 mV/V, 6 wire technique
A/D Resolution	: ± 18 bit. Maximum external read out ±99,999 counts
A/D Conversion Rate	: 80 Measurements per second
Digital Filter	: Selectable from 0.02Hz to 5Hz in 7 steps
Computer Interface	: RS485 or RS422, 2 or 4 wire with baud rates selectable between 9K6 and 115K2
Calibration	: Via ASCII protocol software commands
Logic Inputs	: 2 opto-isolated inputs, 10-30 VDC max 3 mA
Logic Outputs	: 2 open collector outputs < 30VDC
Temperature Effect Zero	: < 50ppm/°C
Temperature Effect Span	: < 40ppm/°C
Temperature Range	: -15°C to +50°C
Construction	: PCB with wrap around steel shield case sealed to IP40. Pins press fitted as standard.
Dimensions	: 82 x 31 x 13.6 mm ( W x D x H connector pins fitted)
Weight	: Approx. 30g
Power Supply	: 12 - 24 VDC +10% -15%. 60mA max.



TECHNIQUES LIMITED

Tel. +44 (0)1446 771185 Fax +44 (0)1446 771186

DSLDU68.2-4, 10/14

Precision Load Cells  
Accessories and Mountings  
Measuring Instruments and Systems