

615

Tension/Compression Load Cell

SENSOR
TECHNIQUES LIMITED



‘S’ Beam Load Cell, Model 615

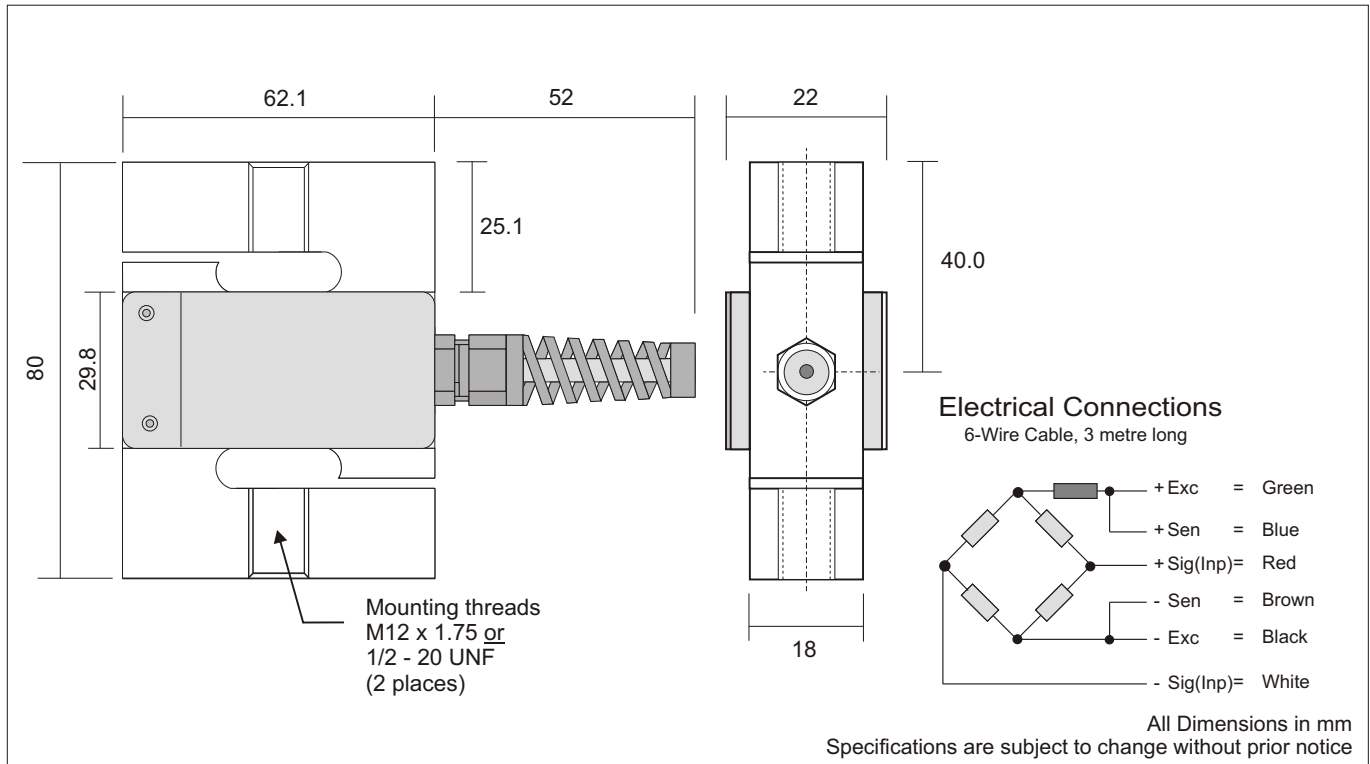
- Nickel plated alloy steel construction
- Available in capacity ranges from 50kg to 1,000kg
- Rationalised output $2.0 \text{ mV/V} \pm 0.1\%$
- Suitable for tension/compression applications
- Ideal for mechanical scale conversions
- Sealed to IP67
- Cable gland with strain relief
- 6 wire sense technique with single shield cable
- Optional Hazardous area approval (ATEX) available

Technical Data

Model 615

GRADE		E	F	G
Number of Load Cell Intervals	n (max)			
Minimum Utilisation	% Rated Cap.			
Y = Emax/Vmin				
Total Error	% Appl. Load	0.050	0.030	0.020
Zero Return after 30 mins	% Appl. Load	0.050	0.030	0.017
Temperature Effect on : Span	%Appl. Ld./10K	0.030	0.014	0.012
Zero	%ORL/10K	0.100	0.060	0.040
Output at Rated Load (ORL)	mV/V		2	
Output at Rated Load Tolerance	%		± 0.1	
Zero Balance	% ORL		10	
Input Impedance	Ohm		400 ± 20	
Output Impedance	Ohm		350 ± 3	
Recommended Supply Voltage	V		10	
Compensated Temp. Range	°C		-10 to +40	
Operating Temperature Range	°C		-30 to +70	
Deflection	mm		< 0.4	
Safe Central Overload	% Rated Cap.		150	
Ultimate Central Overload	% Rated Cap.		300	
Cable Construction & Length		6 wire PVC single floating screen 3 metres long		
Construction		Nickel Plated Alloy Steel		
Environmental Protection		IP67		
Rated Capacities (Emax)	Kg	50, 100, 150, 200, 300, 500, 750, 1000		

Dimensions



DS615-3, 11/07