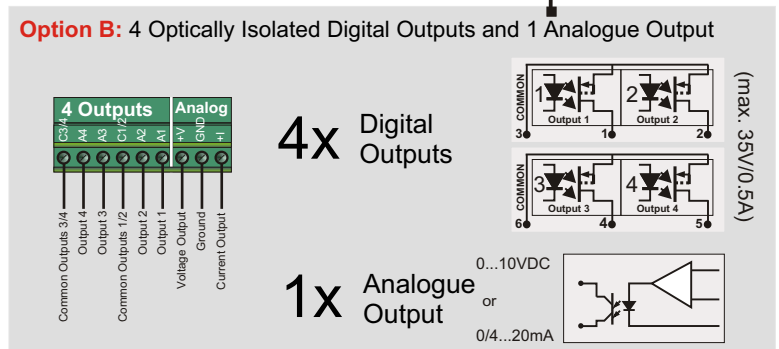
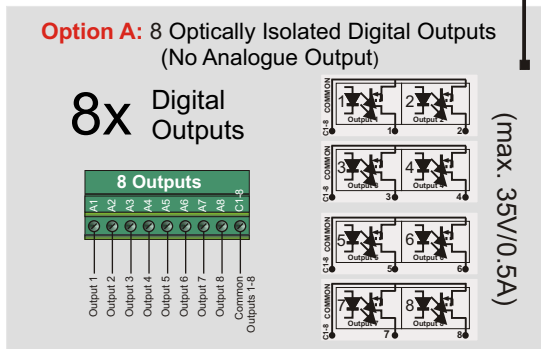
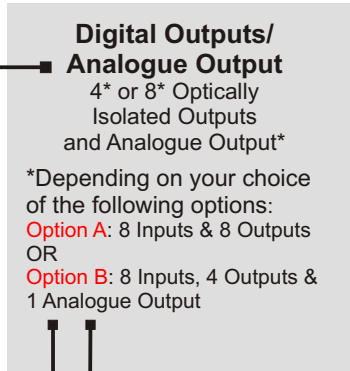
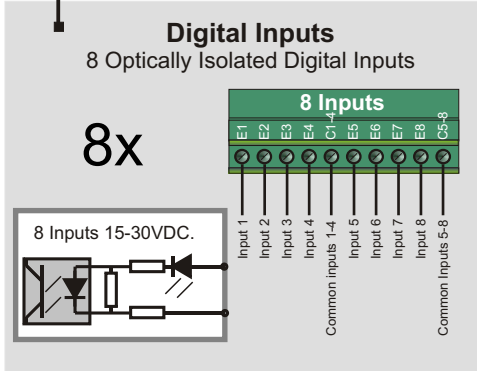
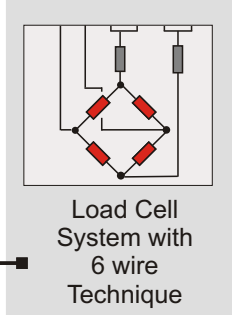
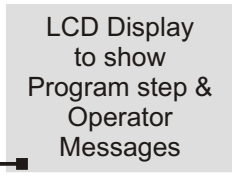
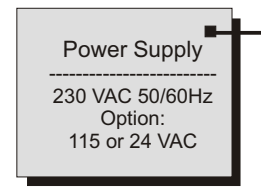
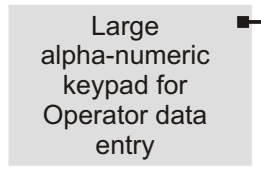
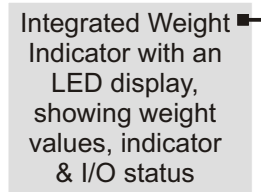
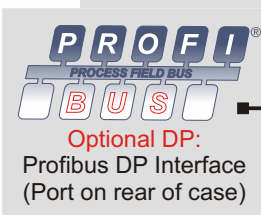
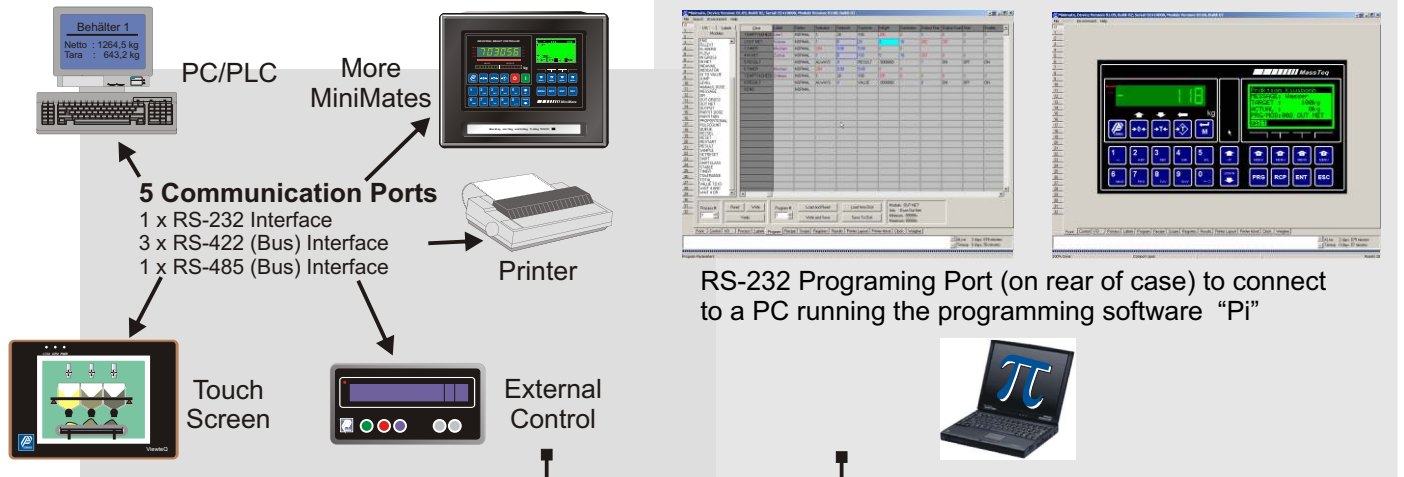
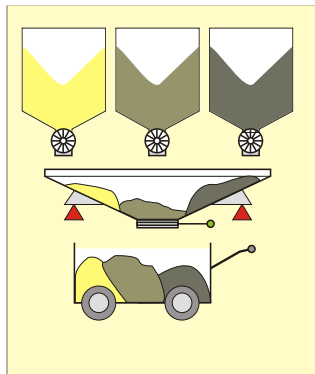
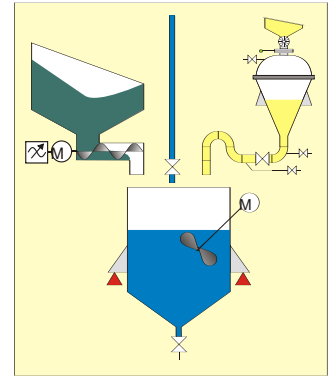
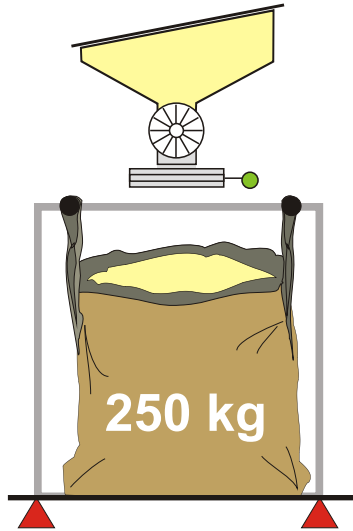
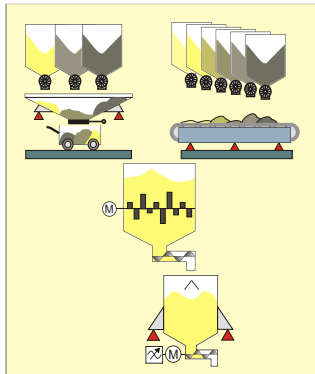




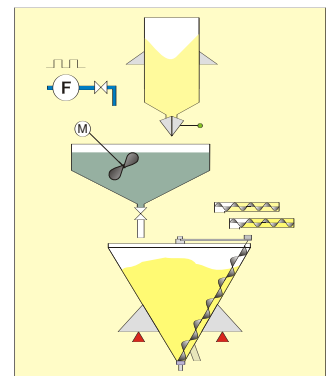
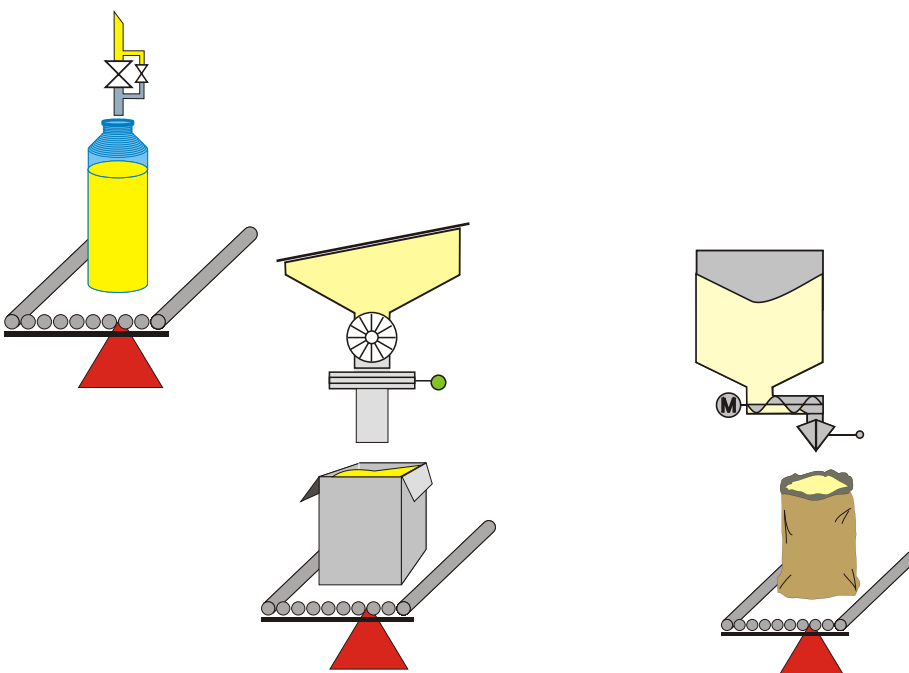
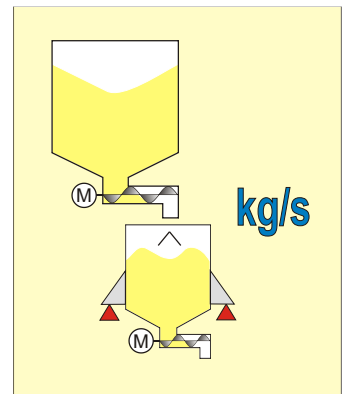
Dosing Controller Minimate

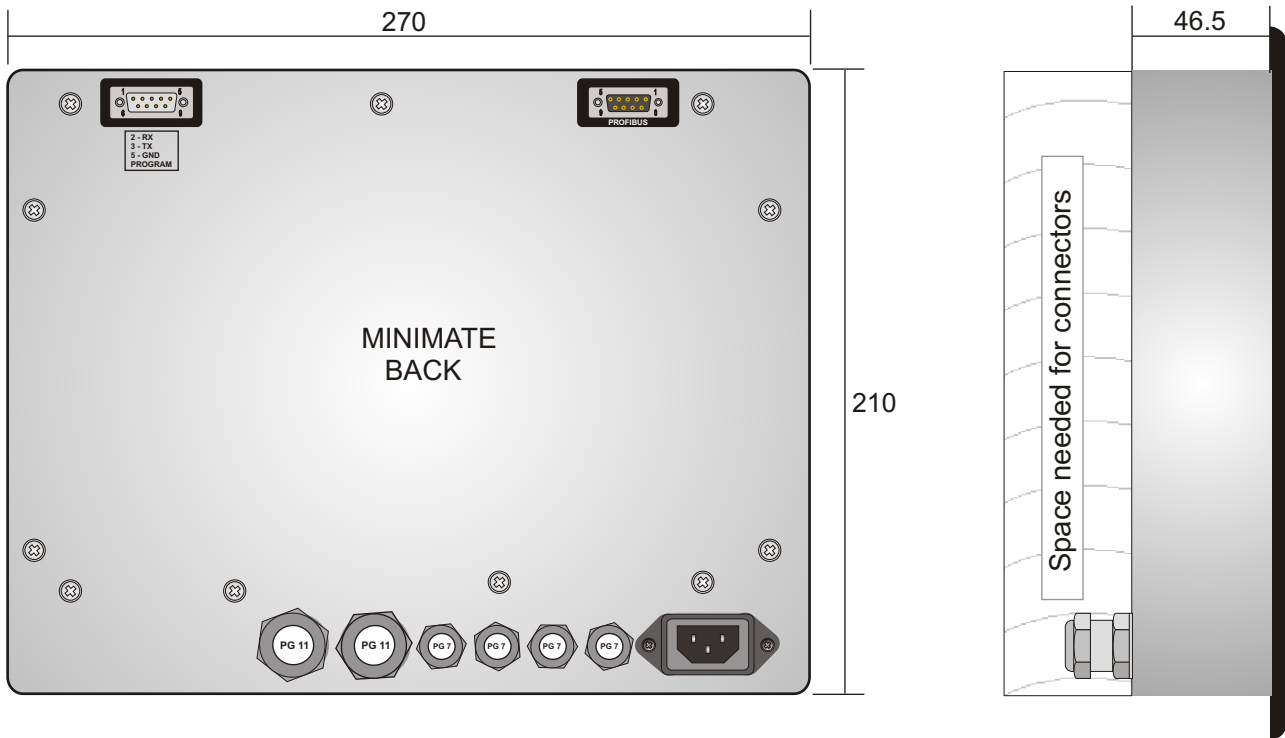
- An ideal combination of a weighing and control system
- A compact & highly flexible solution for all dispensing tasks
- Integrated weight indicator with all the standard functions
- Simple programming of the dosing sequence via a PC
- Even complex control programs can be written in a few hours using a combination of the 50 proven software modules available
- A complete control program typically consists of 15 process steps and requires no more than 1 hours work
- Up to 32 programs with up to 256 recipes can be entered
- 8 Input / 8 Outputs or 8 Inputs, 4 Output & Analogue output option
- Optional Profibus DP interface available





Mix, Fill
& Dose
whatever
you need





Specification

All Dimensions are mm
Specifications are subject to change without prior notice

General:

- Supply Voltage : 230 VAC 50/60 Hz, ± 10%
- Temperature Range : -10°C to +40°C
- Housing : Anodised aluminium, Panel mounting, Front sealed to IP66
- Dimensions : Front 300 x 240 mm, Panel cut out 270 x 210 mm, Depth 50 mm excluding connectors

Weight Indicator:

- Nominal Linearity : < 0.01 %
- Load Cell Supply Voltage : 10 VDC, 6 wire technique, max. 4 off 350 Ohm load cells, i.e. min. 80 Ohms
- Input Signal Range : 0...22 mV, rejection at 50/60Hz > 200dB
- Temperature Effects : < 4ppm/°C on Zero and <10ppm/°C on Span
- Signal Filtering : Adjustable in steps from 1...8, low pass filter 0.2 Hz to 20 Hz
- Digital Display : 14.2 mm LED Display
- A/D Resolution and Speed : 20 Bit A/D converter with up to 250 samples per second

Controller:

- Processor : Flash Rom 8 Mbit, 32 bit architecture
- Display : LCD Display, 128 x 64 pixels, backlit
- Number of Processes : 1
- Number of Programs : Max. 32 possible
- Number of Recipes : Max. 256 possible
- Additional Connections : Max. 45 additional instruments for weight, temperature or length measurement

Inputs and Outputs:

- Option A : 8 digital inputs and 8 digital outputs
- Option B : 8 digital inputs, 4 digital outputs, 1 analogue output
- Digital Inputs : Optically isolated, 12 - 30 V DC
- Digital Outputs : Optically isolated, 10 - 35 V DC/AC max. 0.5A
- Analogue Output : 0 - 10 V DC or 0/4 - 20/24 mA, 16 bit
- Internal Addresses : 600 markers
- Serial Interfaces : (1) x RS-232(V24), (1) x RS-485 (LINK-Protocol), (3) x RS-422, optically isolated, 110 to 115200 Baud, bus addressable from 0...255; (1) x RS-232 Service Port

Additional Options:

- Profibus Connection : Profibus DP Module

DS-MINIMATE-1, 05/09



TECHNIQUES LIMITED

Tel. +44 (0)1446 771185 Fax +44 (0)1446 771186

Precision Load cells
Accessories and Mountings
Measuring Instruments and Systems