

BA688C

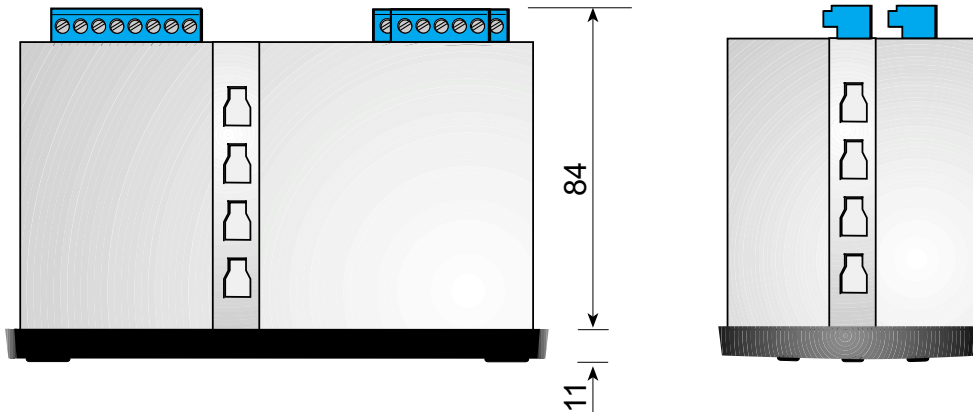
Serial Text Display (Non Hazardous Area)

SENSOR
TECHNIQUES LIMITED



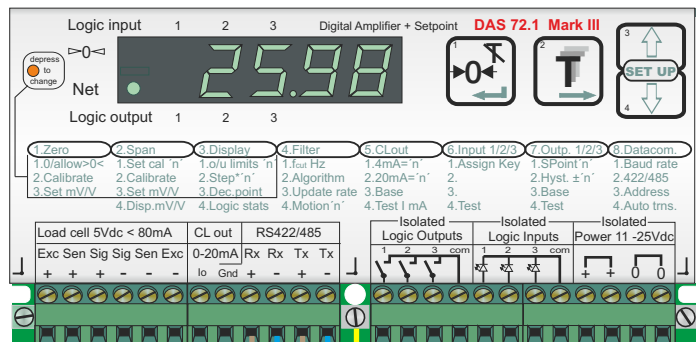
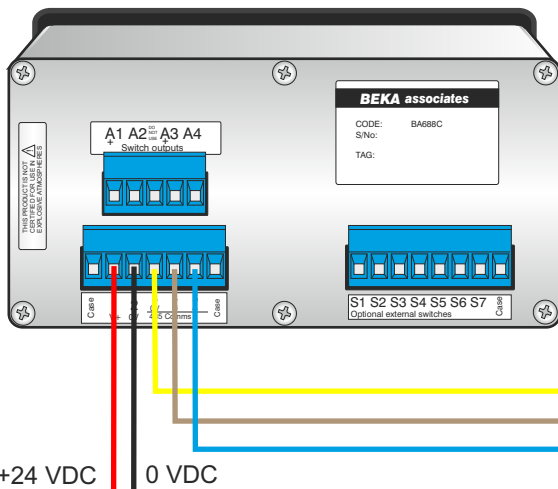
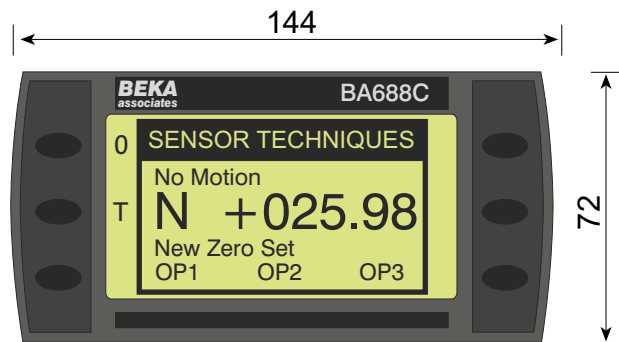
Remote Serial Text Display Model BA688C

- Remote serial text display to be used with DAS72.1
- Connects directly to DAS72.1 Communication port
- Internal script requests information from DAS72.1
- Display shows Gross / Net weight & No motion
- Push buttons to set a new zero or tare
- Supply voltage 20 - 36 VDC
- RS 485 2 wire Computer Interface
- Panel Mounted
- Can be used with Wireless Links



Recommended Panel Cut Out

DIN 43 700
 138.0 +1.0/-0.0 x 68.0 +0.7/-0.0
 To achieve an IP65 seal between the instrument and the panel, the cut out dimensions should be
 136.0 +0.5/-0.0 x 66.2 + 0.5/-0.0.
 Four Panel Mounting Clips must be used



Specifications

All Dimensions in mm
 Specifications are subject to change without prior notice

Digital Display Type	: 120 x 64 pixel backlit liquid crystal
Display Size	: 86.5 x 45 mm
Front Panel	: Six push -buttons which can be software interrogated. Buttons may disabled
Computer Interface	: 2 wire RS485, 300 baud to 115200 baud
Temperature Range	: -20°C to +60°C (working) -40°C to +85°C (storage)
Housing	: Metal case (Front IP60, Rear IP20) with panel clips
Dimensions	: 144 x 72 x 84 mm, Weight approximately 0.7 Kg
Supply Voltage	: 20-36V DC 95mA max.

DS-BA688C-1, 06/09