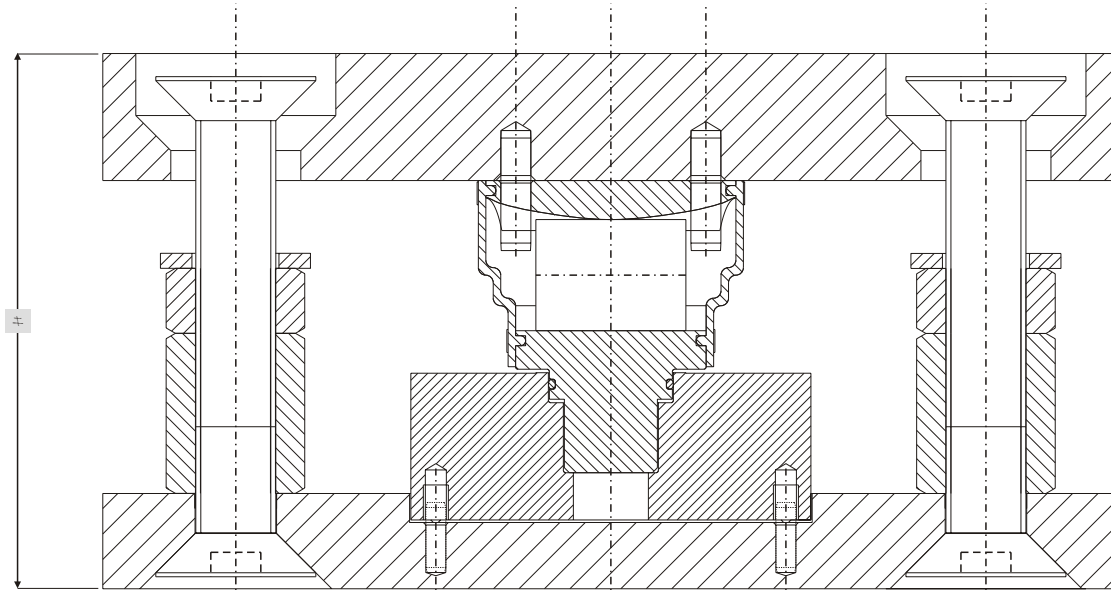




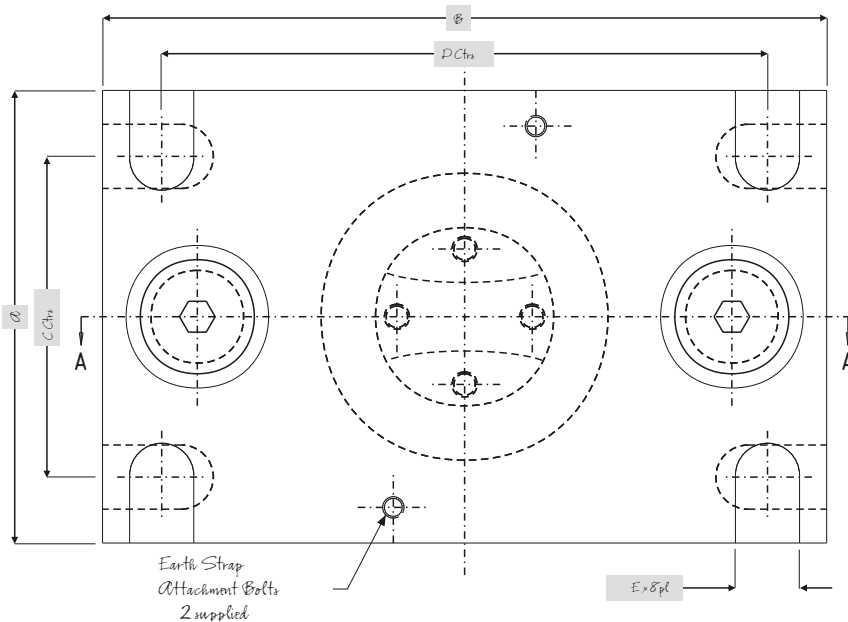
## **Silo Mount for Model 220**

- **Low profile, simple installation**
- **Suitable for use with all model 220 Load Cells**
- **Built-in lift-off prevention**
- **Thermal expansion capability**
- **Heavy duty plated steel top and bottom plates**
- **Stainless steel fittings**
- **Complete with tinned copper earth strap**
- **Allows tilt of up to  $\pm 3^\circ$  in any direction**
- **Ideal for tank and silo weighing**



Comprising load cell base plate, top plate, load adaptor, rolling cylinder, saddle, locating pins, plastic gaitor and clips, earth strap with bolts and washers. Discard load receptor from load cell prior to installing load cell in silo mount.

CAPACITY		a	B	C	D	E	H
5 10T		127	203	90	170	18	107
20 30T		152	245	115	208	24	148



1. To ensure safe use of the silo mount, restraint rods must be fitted between the weighing vessel and foundation.
  2. This mount is designed for a uniformly distributed load on the top and bottom surfaces
  3. Sensor Techniques Limited cannot accept responsibility for the improper installation or use of the silo mount.
- Other compression load cells and alternative mounting arrangements are available.  
Please contact Sensor Techniques for further information.

All Dimensions in mm  
Specifications are subject to change without prior notice

DSSM220R-2, 07/05